



MODEL CAR PERSONALISED NUMBER PLATES KIT Instructions

9 Letters = 8mm high



Thank you for purchasing the Personalised Number Plate Kit we are sure you will be the envy of all your friends once they see this spectacular number plate.

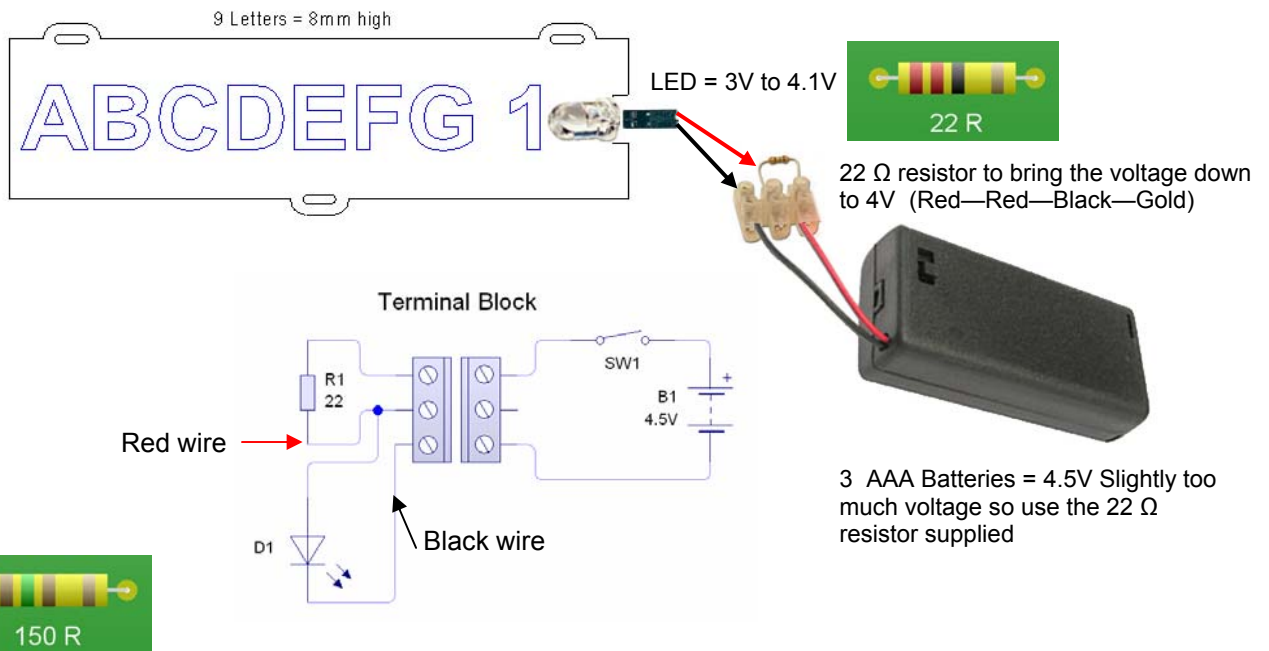
These number plates are so stunning that they even work brilliantly during the day. The number plate is made up from specially cast light gathering acrylic which illuminates the whole number plate including enhancing the edges. See our website for more pictures and assembly ideas at www.c-d-c.co.uk/rcnumber_plate_support.html

Your kit includes one of the more expensive special clear high intensity 5mm BLUE LED 1400 (mcd) which has a very wide view angle so that the centre engraving stands out in full 3D which is absolutely stunning day or night. A special backing mirror forwards the blue light through the engraving fonts illuminating the depth of the engraved characters.

Your Kit should include the following components:

Complete Number Plate ready assembled with LED attachment wires.

- 1 x 3 AAA switchable battery box
- 4 x cable ties
- 4 x double sided foam pads



Use the 150Ω resistor to bring the voltage down to 4V from 12 to 9 Volts (Brown—Green—Brown—Gold)